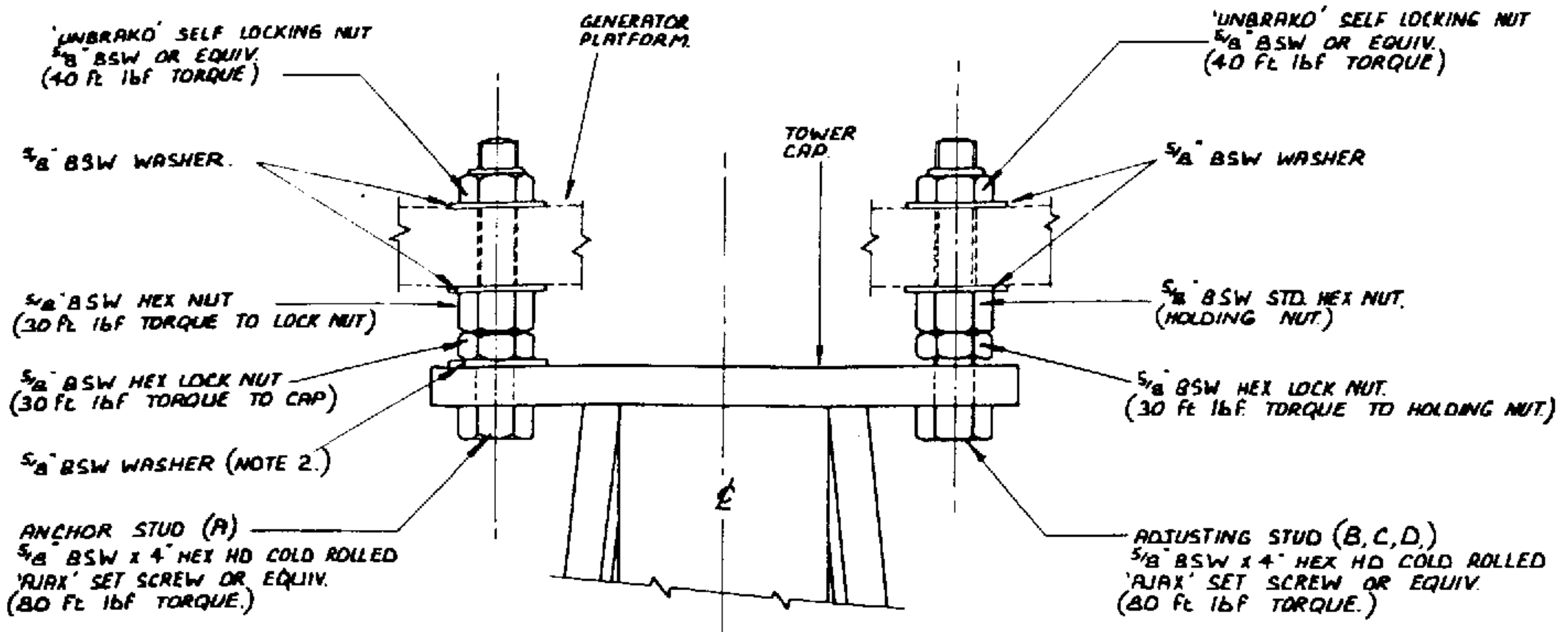


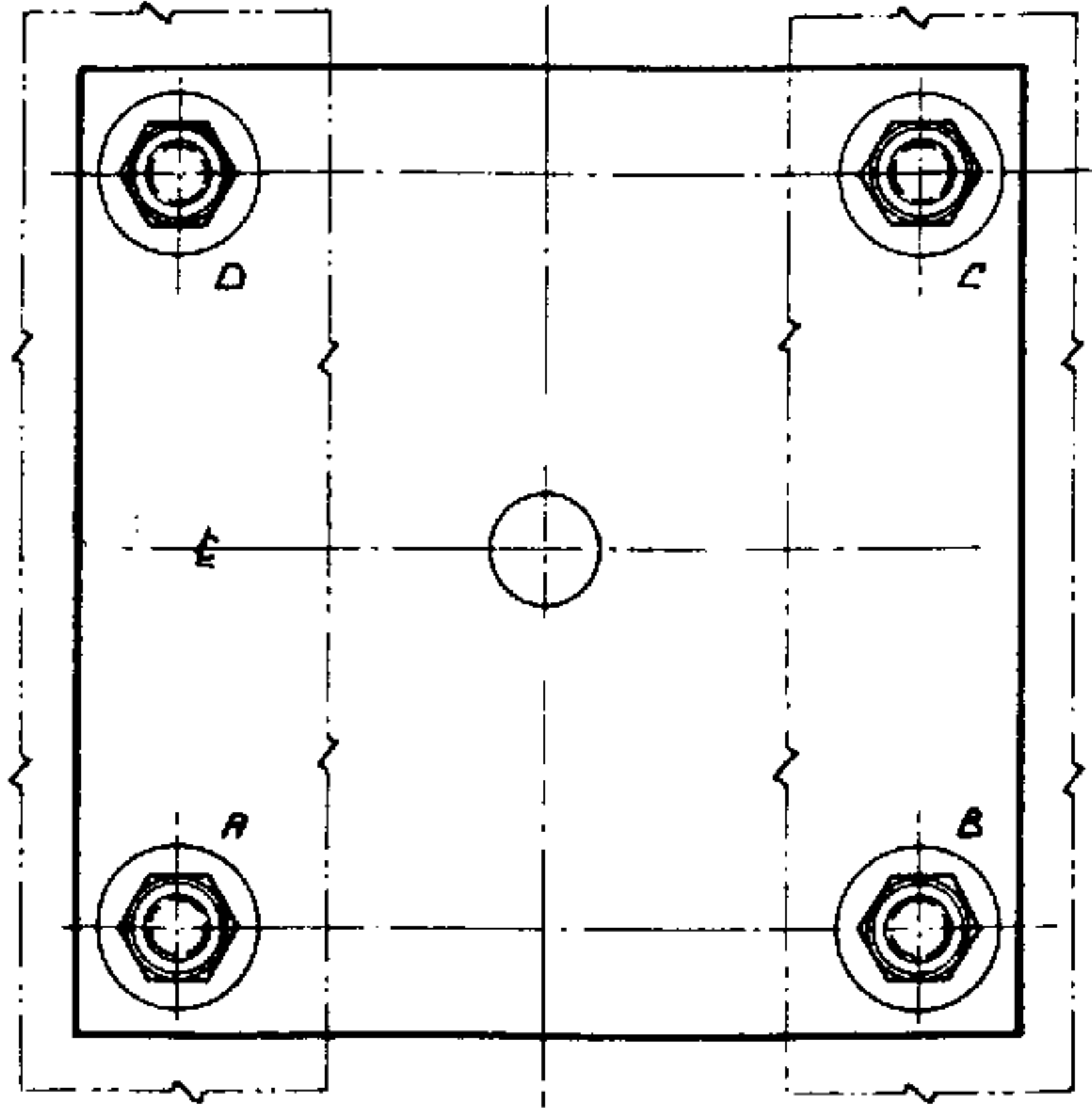
MATERIAL: STEEL  
FINISH AS NOTE 1.



MATERIAL: STEEL  
FINISH IN A/W NOTE 1.

**NOTES.**

1. ALL HEX STUDS, NUTS & WASHERS NOT DIP GALVANISED TO A.S. K53. (1960)
2. WASHER SHALL BE PLACED ON STUD 'A' TO ALLOW FOR LEVELLING ADJUSTMENT ON STUDS B, C & D.



DR. N° CZ60.

6" x 1'-0"

<b>QUIRK'S VICTORY LIGHT CO.</b> 33 FAIRWEATHER STREET BELLEVUE HILL N.S.W.		TITLE: METHOD OF MOUNTING HEAD ONTO TOWER CAP.	DRAWING NO: 1076.
		ADV. BRUSHLESS W.D. ALTERNATOR.	110V.
SCALE: 1/4" = 1'-0"		APPROVED: <i>[Signature]</i>	
DRAWING NO.	DATE	SER. NO.	APPROVED
PRELIMINARY TREATMENT	DATE 30-7-68.		
TOTAL ASSEMBLY NO.		COM. NO.	